

Shortened lobe knobs

Duroplast, square hole

MATERIAL

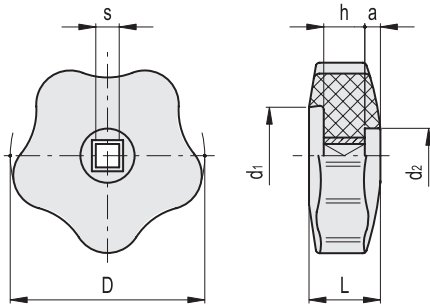
Phenolic based (PF) Duroplast, black colour, glossy finish.

STANDARD EXECUTION

Square through hole with brass reinforcement.

FEATURES

Special front housing (dz) for hexagon blind nut with spherical cap UNI 5721-69 - DIN 1587.



Code	Description	D	sH9	L	d1	d2	h	a	⚖️
69001	VCR.192/40-6x6	40	6	15	21	14	10	4	21
69101	VCR.192/50-6x6	50	6	18	24	14	10	5	33
69111	VCR.192/50-7x7	50	7	18	24	14	10	5	31
69201	VCR.192/60-6x6	60	6	20	29	16	10	4	52
69211	VCR.192/60-7x7	60	7	20	29	16	10	4	50
69221	VCR.192/60-8x8	60	8	20	29	16	10	4	48
69301	VCR.192/70-7x7	70	7	22	35	18	14	5	83
69311	VCR.192/70-8x8	70	8	22	35	18	14	5	78
69401	VCR.192/85-7x7	85	7	25	45	18	14	8	136
69411	VCR.192/85-8x8	85	8	25	45	18	14	8	127
69421	VCR.192/85-9x9	85	9	25	45	18	14	8	126
69501	VCR.192/100-8x8	100	8	28	57	18	14	6	168
69511	VCR.192/100-10x10	100	10	28	57	18	14	6	166

Lobe threaded nut

Technopolymer

MATERIAL

Glass-fibre reinforced polyamide based (PA) technopolymer, black colour, matte finish.

STANDARD EXECUTIONS

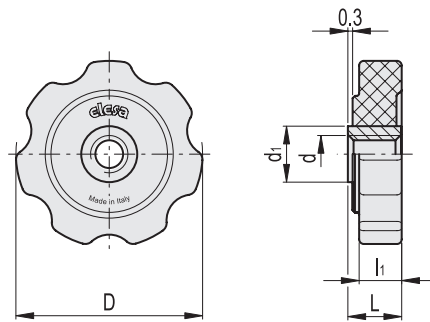
Brass boss, threaded pass-through hole.

FEATURES AND APPLICATIONS

The ergonomic seven-lobe shape allows an effective grip to the operator when tightening. Suitable for axial locking; it can be used as a nut.



ELESA Original design



Code	Description	D	d6H	L	d1	li	⚖️
168541	GFL.40-B M8	40	M8	10	12	8.5	7
168542	GFL.40-B M10	40	M10	10	13	8.5	6



2

Clamping knobs